

LED Pixel Light – SPI Series

Round DMX LED Pixel light, Club, stage, event design

V2.1



LED Pixel Light – SPI Series

Feature:



Certificates:



Feature:

Dimension: 20mm up to 100mm

2D pixel mapping to set on the software programming

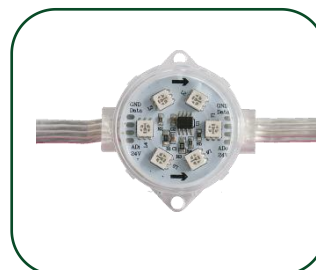
Easy to install

Protections: short circuit, over current , over temperature

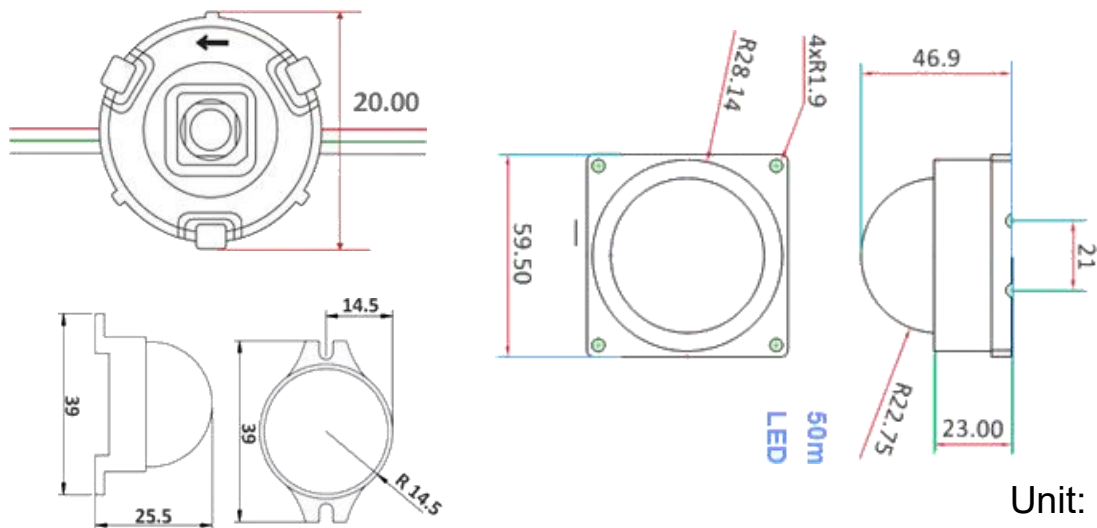
With working life-span at least 50,000hrs

Fast get through input/output signal

Application: adapted for all kinds of installation methods including, stage background, lighting background, hockey area and all kinds of special-shaped



Product size and Parameters



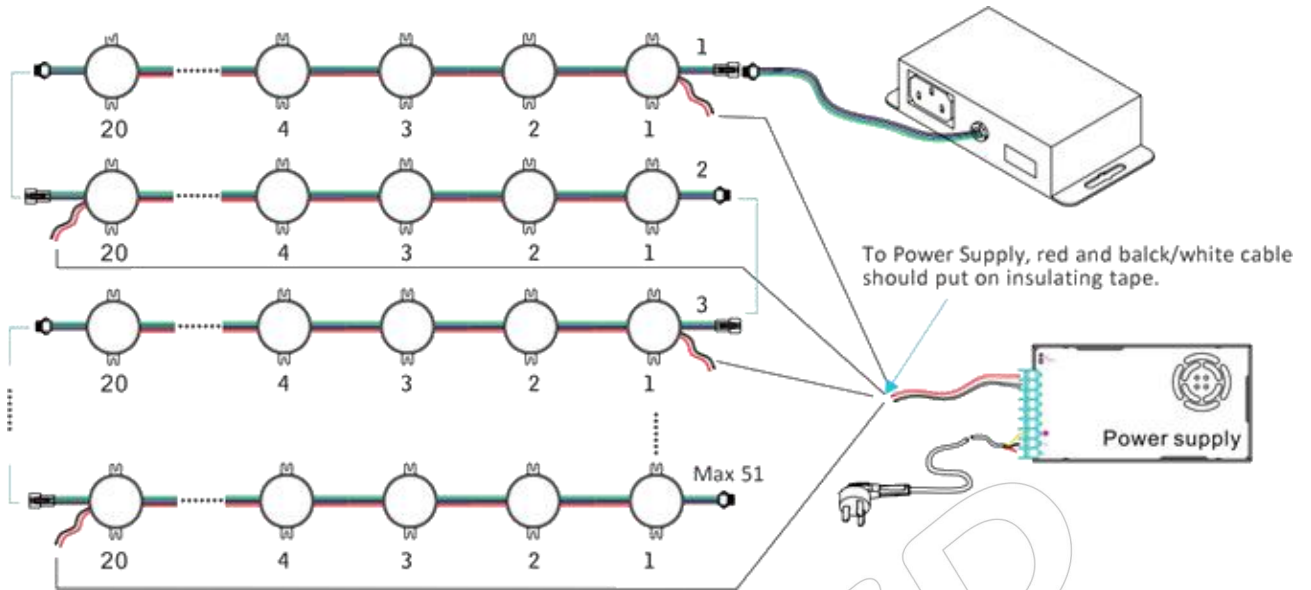
PRODUCT SPECIFICATION

Model NO.	LED-PL20SPI0101	LED-PL30SPI0301	LED-PL50SPI0601	LED-PL50SPI0601
LED type and QTY	1pcs SMD RGB 5050	3pcs SMD RGB 5050	6pcs SMD RGB 5050	6pcs SMD RGB 5050
Emitting angle	120 degree	120 degree	120 degree	120 degree
Color	RGB full color	RGB full color	RGB full color	RGB full color
Operating Voltage	DC 5V	DC 12V	DC 12V	DC 12V
Power	MAX=0.3W	MAX=0.72W	MAX=1.44W	MAX=1.44W
Control Protocol	WS2811	WS2811	WS2821	WS2811
Control Mode	DVI / Standalone Control			
Dimension (housing)	20MM diameter	30MM diameter	50MM diameter	50MM diameter
Housing Material	PC	PC	PC	PC
LED Source Life	50,000 hours, based on test data of LED manufacturer			
Temperature	-4F to 122F (-20°C to 50°C) operating temperature			
Humidity Range	0 to 95% non-condensing			
Protection	IP65	IP65	IP65	IP65

Remark: Specifications are subject to change without notice.



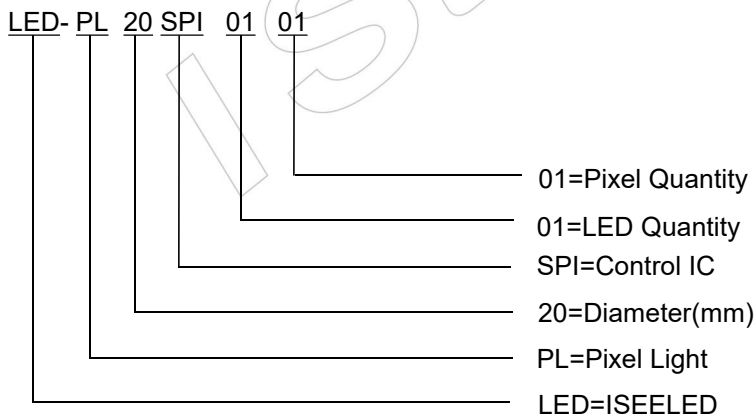
Wiring Diagram



Accessories



Model Definition



Remark: Specifications are subject to change without notice.



Bld 12, Fujiao Industrial Park, Fuyong,
Bao'an, Shenzhen, CN



International hotline:
86-755-3697 8198



E-mail: info@iseeled.com
Web: www.iseeled.com