

Feature:



Certificates:



Feature: >>>

High-brightness High Power Led is assembled in the Led Flood Light

RGB, Red, Green, Blue, White (2700-6500K), Amber

Standard DMX 512 control, 44 frames/second

DMX address can be set manual or auto-addressing customized

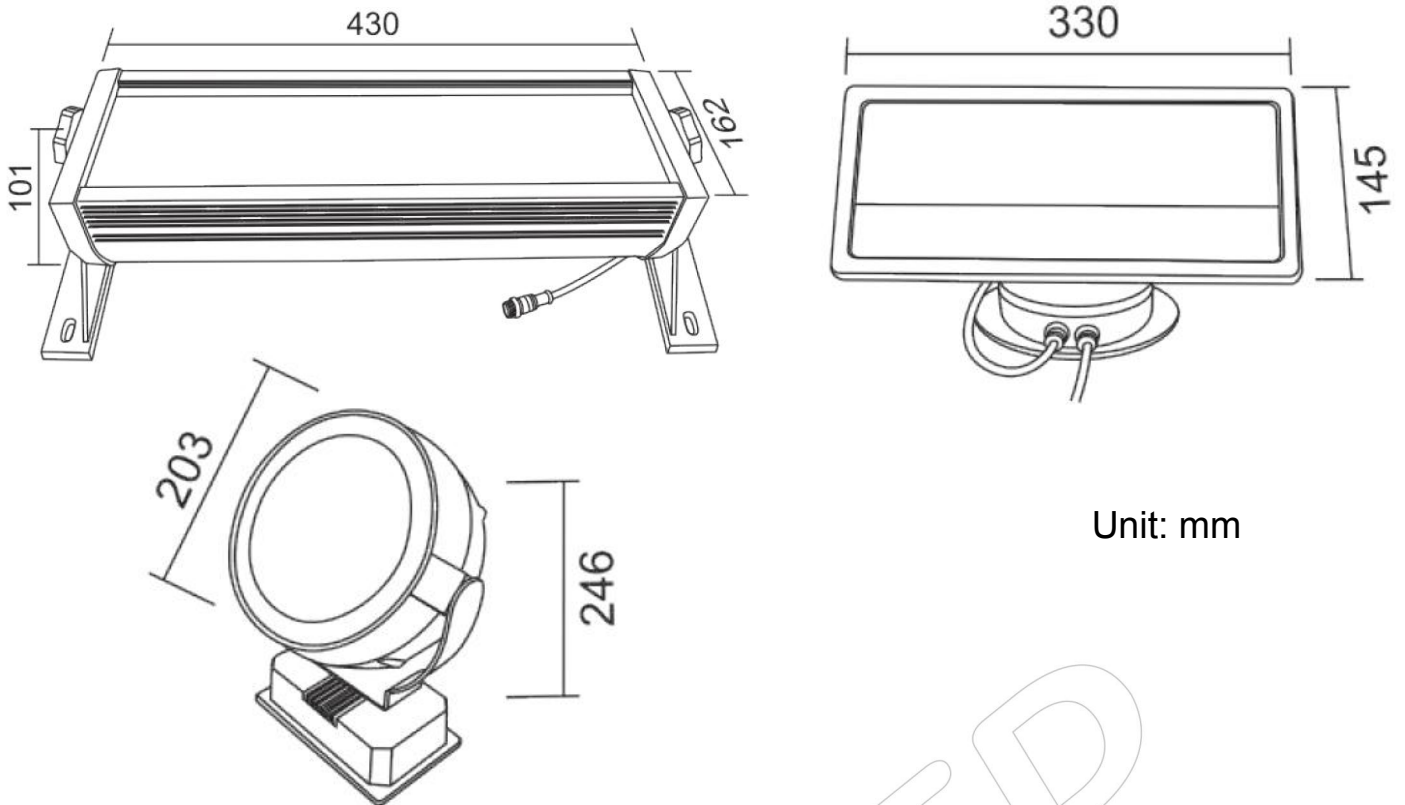
With working life-span at least 50,000hrs

Fast get through input/output signal

Application: led flood lights can be used as façade lighting of building, mall, shopping center, hotel and so on.



Product size and Parameters



PRODUCT SPECIFICATION

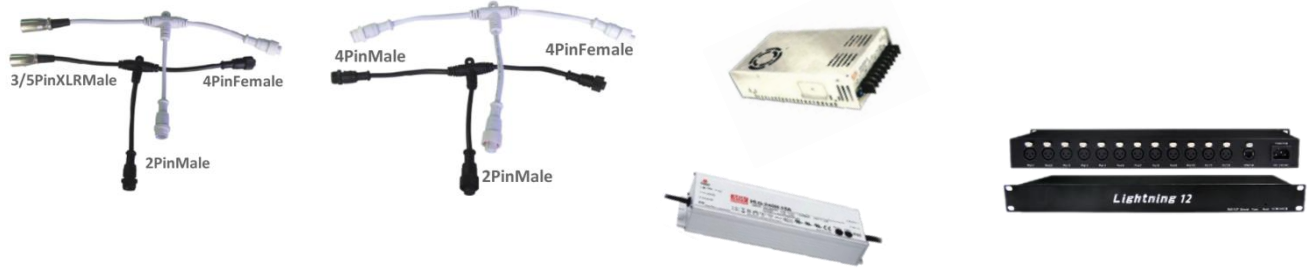
Model NO.	LED-FL430162DMX3601	LED-FL330145DMX3601	LED-FL203DMX1801
Material	Stretched Aluminum	Die-casting Aluminum	Die-casting Aluminum
Size	430*162*101mm	330*145mm	Ø203xH246MM
Power	can make 18W , 24W , 36W		
Working Voltage	DC 24V		
Color Range	RGB, red, green, blue, white		
Beam Angle	8° , 16° , 25° , 30° , 45° , 60°		
Address Setting	Automatically/Manually		
Protocol	DMX512		
Lifespan	50000 hours		
Protection	IP65		
Operating Temperature	-4°F to 122°F (-20°C to 50°C)		
Storage Temperature	-40°C ~ + 80°C		

Remark: Specifications are subject to change without notice.

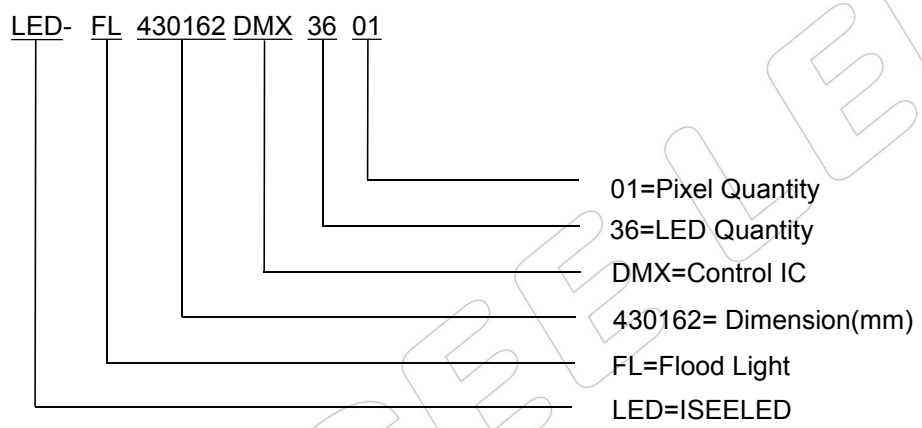


DMX Flood Light

Accessories



Model Definition



Remark: Specifications are subject to change without notice.