

DMX Kinetic Ball

DMX Kinetic Ball, Club, stage, event design

The Diameter is 20-50cm, Kinetic Range is 0-9m, Standrad DMX512 Protocol

DMX Kinetic Ball



Feature:



Certificates:



Feature:

Dimension: 20cm up to 50cm Diameter
Kinetic range: 0-9meter

Standard DMX 512 control, Ball color and vertical position can be controlled by DMX512 signal.

It has build-in animations by dmx Channels.

Protections: short circuit, over current , over temperature .

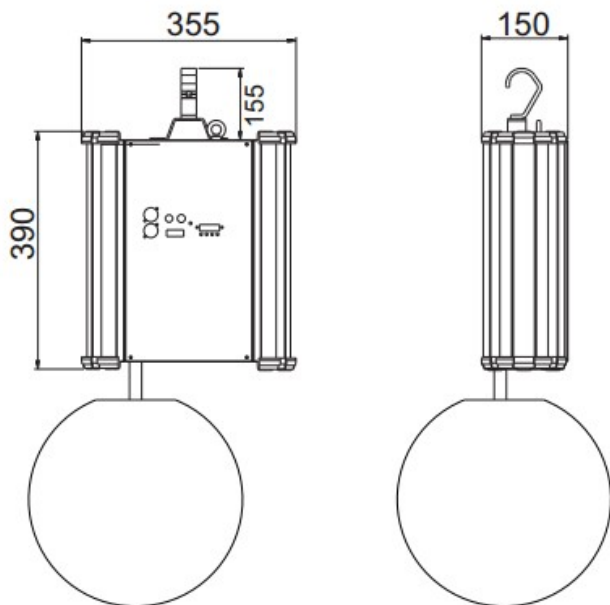
With working life-span at least 50,000hrs;

Support adjustable color temperature within 2,500k-10,000k ;

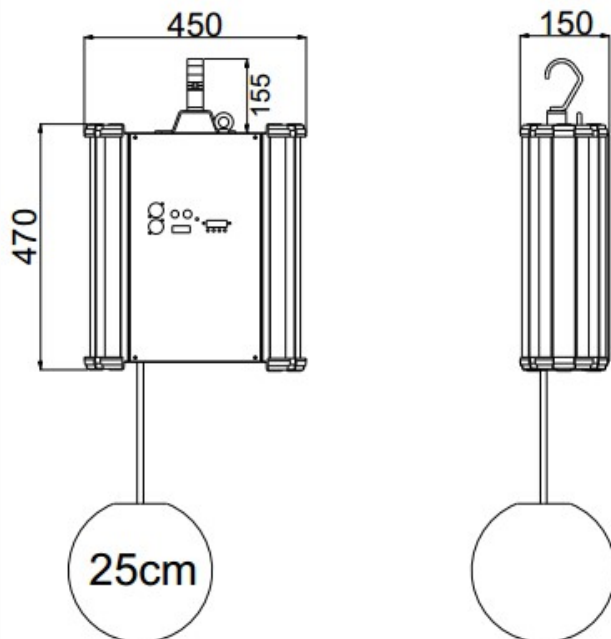
Application: adapted for all kinds of installation methods including, stage, club, event, party and concert.



4m Kinectic Machine



9m Kinectic Machine



Unit: mm

PRODUCT SPECIFICATION

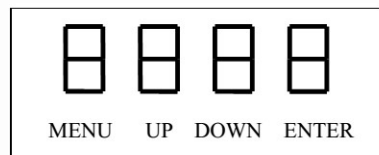
	Model NO.	LED-KB20DMX1801	LED-KB25DMX25201	LED-KB50DMX46801	
LED Input and Control	LED type and QTY	18 pcs SMD RGB 5050	252 pcs Φ5 High Brightness	468pcs Φ5 High Brightness	
	Emitting angle	360 degrees	360 degrees	360 degrees	
	Color	RGB full color	RGB full color	RGB full color	
	Gray Scale	256	256	256	
	Operating Voltage	AC90V-240V 50-60Hz	AC90V-240V 50-60Hz	AC90V-240V 50-60Hz	
	Power	45 W	60 W	80 W	
	Kinetic Range	0-9 meter			
	Control Protocol	DMX512			
	Physicizc, Environment	Dimension	20CM diameter	25CM diameter	50CM diameter
		Cover Color	Milky		
LED Source Life		50,000 hours, based on test data of LED manufacturer			
Temperature		-5°C to 45°C) operating temperature			
Address Setting		Manually			
Package	Carton/ Fight Case				

Remark: Specifications are subject to change without notice.

Operation Instructions

Display and Touch Buttons

Press "MENU" to start setting or returning to the upper option,
 Press "UP" or "DOWN" to browse into the menu options or to adjust the values,
 Press "ENTER" to confirm or enter a sub-option.



Operation Instructions

Option	Sub-option	Value	Functions
Addr		001-512	To set the DMX address code of the DMX kinetic ball
ReSt	ALL	SurE →Strr	To rest all functions
	Int	SurE →Strr	To rest the motor(s) only
	FAcT	P234	To recover the factory settings
ConF	Mode	7CH/8CH	To set the unit in 7CH or 8CH mode
	nSiG	Crdt/HdLE	To clear all outputs after 2 seconds (Crdt) or to hold the last DMX value before the DMX is off (HdLE)
INFO	CHNL	1Red	CH1 Red dimmer
		2Grn	CH2 Green Dimmer
		3Blue	CH3 Blue dimmer
		4Dim	CH4 Master dimmer
		5FSH	CH5 Strobe
		6Til	CH6 Lifting
		7Spd	CH7 Lifting speed, not available in 7CH mode
	8Ctl	CH8 Control, In7CH mode, it shows as "7Ctl" in CH7	
	V101		Firmware version
diSP	dMod	ALon/dYoF	To set the display always on (ALon) or automatically off after 5 seconds indling (dYoF)
ModE	DMSG	rECE	To set the unit in DMX mode
	MPro	MPr1	The master unit starts auto testing
	SPro	SPr1	The slave unit starts auto testing
	MuSi	M-of/M-on	To set the music mode on of off (available soon)

DMX Chart

Channel	Value	Functions	
CH1	0	Close	
	1-255	Red dimmer	
CH2	0	Close	
	1-255	Green dimmer	
CH3	0	Close	
	1-255	Blue dimmer	
CH4	0-255	Master dimmer	
CH5	0-9	Disable CH1-CH4	
	10-19	Enable Ch1-CH4	
	20-209	Strobe slow → fast enable CH1-CH4	
	210-255	Enable CH1-Ch4	
CH6	0	When CH8=0, the cord wheel will be locked.	
	1-255	Lifting from top to bottom	
CH7	0-255	Lifting speed, fast → slow (unavailable in 7CH mode)	
CH8	0	When CH6=0, the cord wheel will be locked.	
	1-239	Unlock	Before operating CH6, unlock should be implemented, And to reach the perfect effect, the unit need to reset twice, once when power in on, it show CH8=240-245
	240-245	Reset	
246-255	Unlock		

* The lifting speed channel is unavailable in 7Ch mode,

* The unlock/reset channel will be at the 7th channel in 7CH mode.

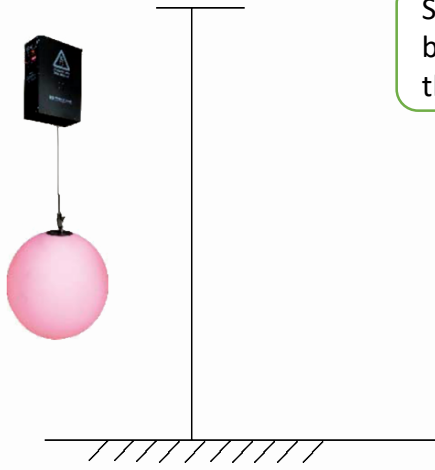
Note: The function channels in gray are for LED ball, which should be purchased separately.

IMPORTANT

Please DO NOT run the machine before the play-load is properly applied! If the lifting system is powered off in a DMX mode, you must set both CH6 and CH8(8CH mode) or both CH6 and CH7(7CH mode) to 0 on the connected DMX controller before power on the lifting system again; After powered on the lifting system again, the unit need to reset twice: Once when power on; Another reset at CH8=(240-245) (8CH mode) or CH7=(240-245) (7CH mode), Otherwise, the lifting system may run in error.

Safety

Notice



Sufficient safety distance must be considered when you install the DMX kinetic ball

Sufficient lifting distance must be considered, otherwise the ball may hit the ground or it will occur unexpected damage.

Installation

Step 1 Hook the lock



Step 2 Hanging the lift on the truss, fasten the clamp and correctly catch the safety rope



Step 3 Connect the lift with the LED ball



Accessories



Clamp



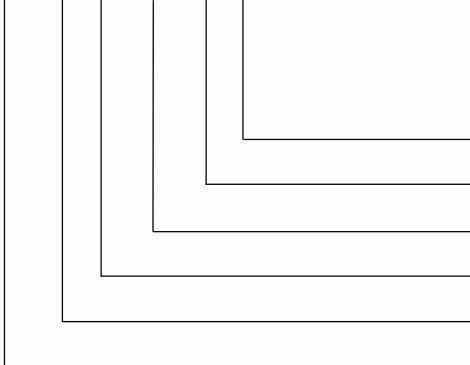
XLR cable for DMX



Safety Rope

Model Definition

LED-KB 20 DMX 18 01



- 01=Pixel Quantity
- 18=LED Quantity
- DMX=Control Protocol
- 20=Size (diameter,cm), 20/25/30/50 available
- KB=Kinetic Ball
- LED=ISEELED

